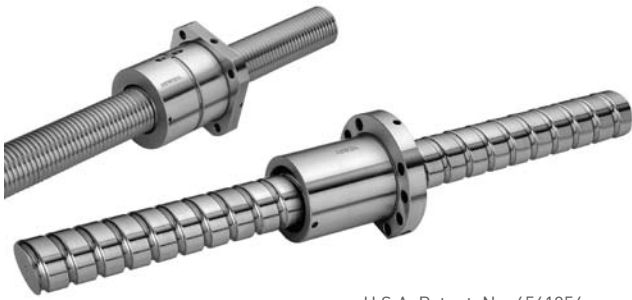


## 9.6 Super S Series



U.S.A. Patent No. 6561054  
Taiwan Patent No. 231845  
Taiwan Patent No. 233472  
Taiwan Patent No. 245857  
Taiwan Patent No. 115652  
Japan Patent No. 3117738

### • Application:

CNC Machinery, Industrial Machinery, Electronic Machinery, Precision Machine and other High Speed Machinery.

### • Features :

#### 1. Low noise (5~7dB lower than traditional series)

The patent design of return unit can absorb noises caused by the impact of the ballnut's balls, greatly reducing the noise intensity.

#### 2. Space-saving and weight-lightening design

The ballnut diameter is 18%~32% smaller than traditional series.

#### 3. Dm-N value up to 220,000

The patent design of the return unit can improve the strength of the return structure, achieving a Dm-N value of up to 220,000.

#### 4. High acceleration and deceleration velocity

The pathway of specialized return unit, as well as the ballnut's strengthened design diminish the impact experienced by the balls, Hence, it can sustain peak performance in more rigorous operating environments, such as high acceleration and deceleration.

#### 5. Accuracy grade

Precision ground ballscrews available in JIS Grade C0~C7; Rolled ballscrews available in JIS Grade C6~C10.

### • Pattern Nomenclature :

Ex: R40-10K4 -FSC -1200 -1600 - 0.008



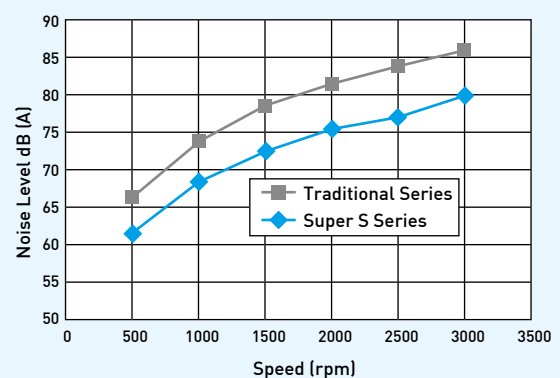
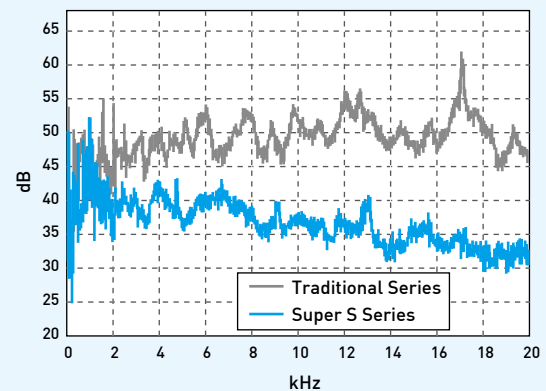
### • Performance :

Specification: 2R40 - 40K4 - DFSC - 1200 -1600 - 0.008

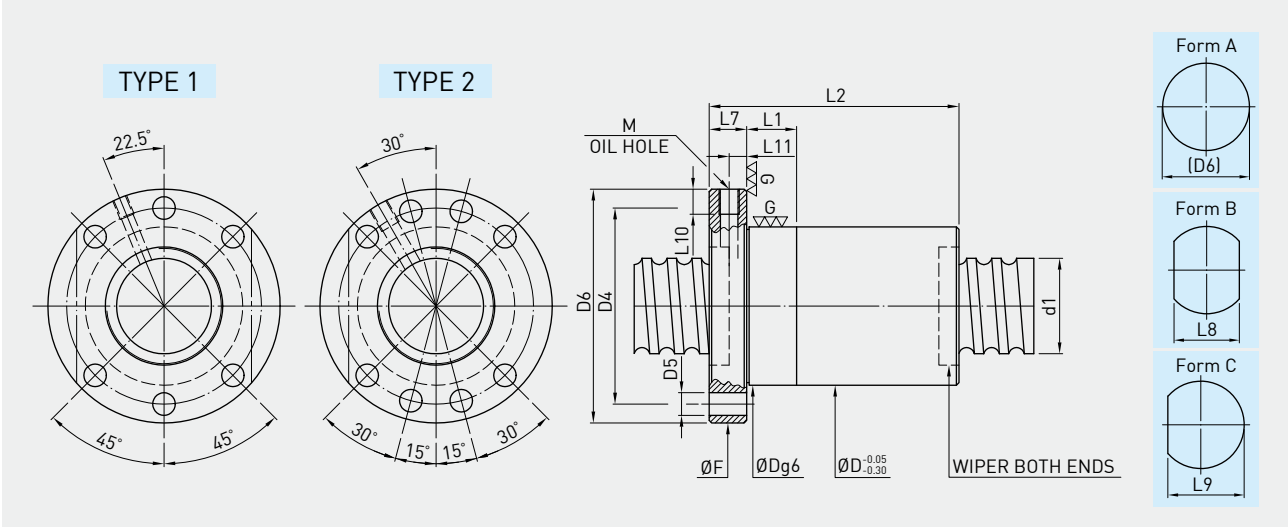
Lead: 40 mm

Acceleration: 1g (9.8m/sec<sup>2</sup>)

Dm-N Value: 120,000

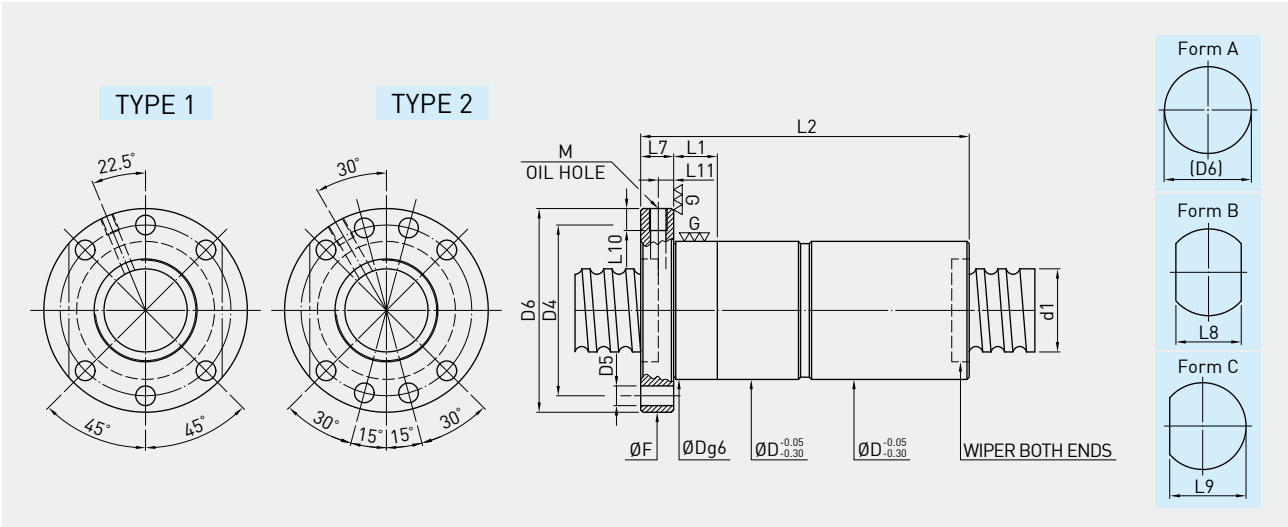


FSC TYPE



Model	Size		Ball Dia.	Circuits	Dynamic Load C(KN)	Static Load Co(KN)	Nut			Flange						Oil Hole																	
	Nominal Dia.	Lead					D	L1	L2	TYPE	Form A (D6)	Form B (L8)	Form C (L9)	L7	D4	D5	M	L10	L11														
15-10K3	15	10	3.175	K3	960	1930	30	10	44	1	55	41	48	10	45	5.5	M6x1P	8	5														
20-10K3	20	10	3.175	K3	1130	2660	36	10	48	1	58	44	51	10	47	6.6	M6x1P	8	5														
20-20K2		20		K2	760	1730		10	57																								
25-10K3	25	10	3.175	K3	1260	3370	40	10	51	1	62	48	55	10	51	6.6	M6x1P	8	5														
25-25K2		15		K2	810	2170		10	70																								
25-12K4		12		3.969	K4	2200		5640	43											10	68												
32-5K4	32	5	3.175	K4	1850	5970	48	10	38	1	70	55	62	12	59	9	M6x1P	8	6														
32-8K5		8		K5	3080	9460		10	63																								
32-20K3		20		3.969	K3	1900		5430	50											20	88	80	62	71	12	65							
32-32K2		32			K2	1280		3530												20	88												
32-10K5		10		4.763	K5	3850		10890	56											10	79	86	65	75.5	14	71							
32-12K5		12			K5	5620		14450												10	77												
32-12K5		12			6.35	K5		5620												14450	57						20	87	87	69	78	14	72
32-16K4		16				K4		4570												11390							20	90					
32-20K4		20		K4	4530	11310		20	107																								
36-10K5		36		10	6.35	K5		6010	16440											61	20	80	2	91	68	79.5	14	76	9	M8x1P	10	7	
36-12K5	12		K5	5990		16420	20	87																									
36-16K5	16		K5	5960		16350	20	108																									
36-20K5	20		K5	5920		16270	20	128																									
36-36K2	36		K2	2540		6540	20	95																									
38-10K6	38	10	6.35	K6	7270	21060	63	20	90	2	93	70	81.5	14	73	9	M8x1P	10	7														
38-12K6		12		K6	7260	21030		20	99																								
38-16K5		16		K5	6140	17340		20	108																								
38-20K5		20		K5	6100	17260		25	128																								
38-25K4		25		K4	4940	13560		25	126																								
38-40K2	40	K2	2590	6560	25	102																											
40-10K6	40	10	6.35	K6	7270	21060	65	20	90	2	93	70	81.5	14	78	9	M8x1P	10	7														
40-12K6		12		K6	7260	21030		20	99																								
40-16K5		16		K5	6140	17340		20	108																								
40-20K5		20		K5	6100	17260		25	128																								
40-25K4		25		K4	4940	13560		25	108																								
40-40K2		40		K2	2590	6560		25	102																								
45-10K6	45	10	6.35	K6	8010	25760	70	20	90	2	105	80	92.5	16	88	11	M8x1P	10	8														
45-12K6		12		K6	8000	25730		20	101																								
45-16K5		16		K5	6780	21240		20	107																								
45-20K5		20		K5	6750	21170		25	128																								
45-25K5		25		K5	6700	21060		25	154																								
45-30K4		30		K4	5440	16570		25	150																								
45-40K3		40		K3	4100	12020		25	145																								
45-16K5		16		7.144	K5	7810		23230	74											20	119	109	84	96.5									
45-20K5	20	K5	7770		23150	25	139																										
50-10K6	50	10	6.35	K6	8290	28160	75	20	90	2	110	85	97.5	16	93	11	M8x1P	10	8														
50-12K6		12		K6	8290	28130		20	101																								
50-16K6		16		K6	8260	28070		20	126																								
50-20K6		20		K6	8230	28000		25	148																								
50-25K5		25		K5	6960	23070		25	154																								
50-30K4		30		K4	5650	18170		25	148																								
50-40K3	40	K3	4390	13750	25	145																											

FSC TYPE



Model	Size		Ball Dia.	Circuits	Dynamic Load C(KN)	Static Load Co(KN)	Nut			Flange						Oil Hole															
	Nominal Dia.	Lead					D	L1	L2	TYPE	Form A (D6)	Form B (L8)	Form C (L9)	L7	D4	D5	M	L10	L11												
15-10K3	15	10	3.175	K3	960	1930	30	10	92	1	55	41	48	10	45	5.5	M6x1P	8	5												
20-10K3	20	10	3.175	K3	1130	2660	36	10	100	1	58	44	51	10	47	6.6	M6x1P	8	5												
20-20K2		20		K2	760	1730		10	118																						
25-10K3	25	10	3.175	K3	1260	3370	40	10	106	1	62	48	55	10	51	6.6	M6x1P	8	5												
25-25K2		15		K2	810	2170		10	144																						
25-12K4		12	3.969	K4	2200	5640		43	10											140											
32-5K4	32	5	3.175	K4	1850	5970	50	10	80	1	70	55	62	12	59																
32-8K5		8	3.969	K5	3080	9460		10	130																						
32-20K3		20	K3	1900	5430	20		180																							
32-32K2		32	K2	1280	3530	20		180																							
32-10K5		10	4.763	K5	3850	10890		56	10											162	1	86	65	75.5	14	71	9	M6x1P	8	6	
32-12K5		12		K5	3840	10870			20											182											
32-10K5		10	6.35	K5	5640	14490		57	10											158	1	87	69	78	14	72					
32-12K5		12		K5	5620	14450			20											178											
32-16K4		16		K4	4570	11390			20											184											
32-20K4		20	K4	4530	11310	20		218																							
36-10K5	36	10	6.35	K5	6010	16440	61	20	164	2	91	68	79.5	14	76	9	M8x1P	10	7												
36-12K5		12		K5	5990	16420		20	178																						
36-16K5		16		K5	5960	16350		20	220																						
36-20K5		20		K5	5920	16270		20	260																						
36-36K2		36		K2	2540	6540		20	194																						
38-10K6	38	10	6.35	K6	7270	21060	63	20	184	2	93	70	81.5	14	78	9	M8x1P	10	7												
38-12K6		12		K6	7260	21030		20	202																						
38-16K5		16		K5	6140	17340		20	220																						
38-20K5		20		K5	6100	17260		25	260																						
38-25K4		25		K4	4940	13560		25	256																						
38-40K2		40		K2	2590	6560		25	208																						
40-10K6	40	10	6.35	K6	7270	21060	65	20	184	2	93	70	81.5	14	78	9	M8x1P	10	7												
40-12K6		12		K6	7260	21030		20	202																						
40-16K5		16		K5	6140	17340		20	220																						
40-20K5		20		K5	6100	17260		25	260																						
40-25K4		25		K4	4940	13560		25	256																						
40-40K2		40		K2	2590	6560		25	208																						
45-10K6		45		10	6.35	K6		8010	25760											70	20	184	2	105	80	92.5	16	88	11	M8x1P	10
45-12K6	12		K6	8000		25730	20	206																							
45-16K5	16		K5	6780		21240	20	218																							
45-20K5	20		K5	6750		21170	25	260																							
45-25K5	25		K5	6700		21060	25	312																							
45-30K4	30		K4	5440		16570	25	340																							
45-40K3	40		K3	4100		12020	25	294																							
45-16K5	16		7.144	K5		7810	23230	74	20	242	1	109	84	96.5																	
45-20K5	20			K5		7770	23150		25	282																					
50-10K6	50		10	6.35		K6	8290	28160	75	20	184	2	110	85	97.5	16	93	11	M8x1P		10	8									
50-12K6		12	K6		8290	28130	20	206																							
50-16K6		16	K6		8260	28070	20	256																							
50-20K6		20	K6		8230	28000	25	300																							
50-25K5		25	K5		6960	23070	25	312																							
50-30K4		30	K4		5650	18170	25	300																							
50-40K3		40	K3		4390	13750	25	294																							